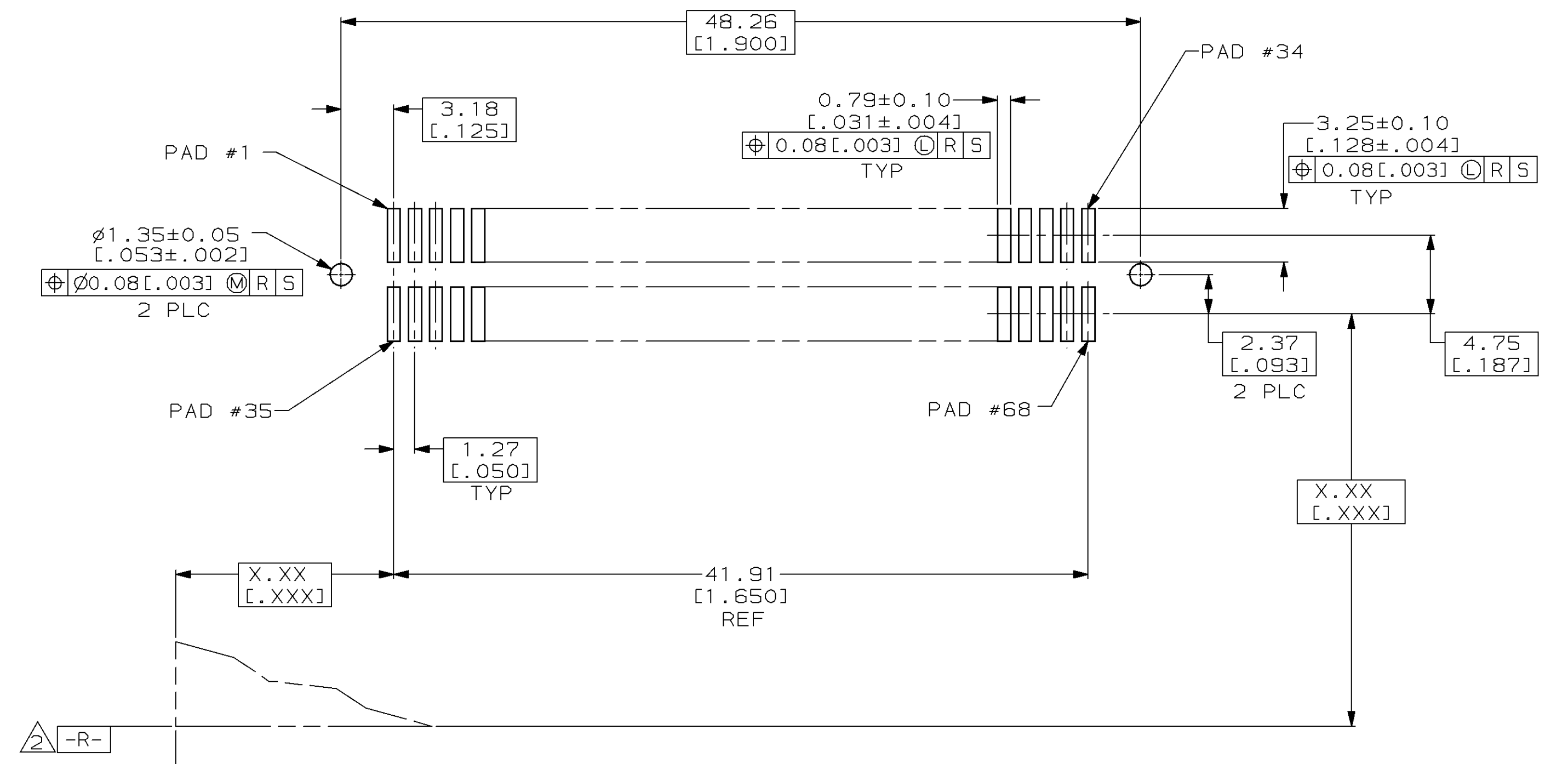
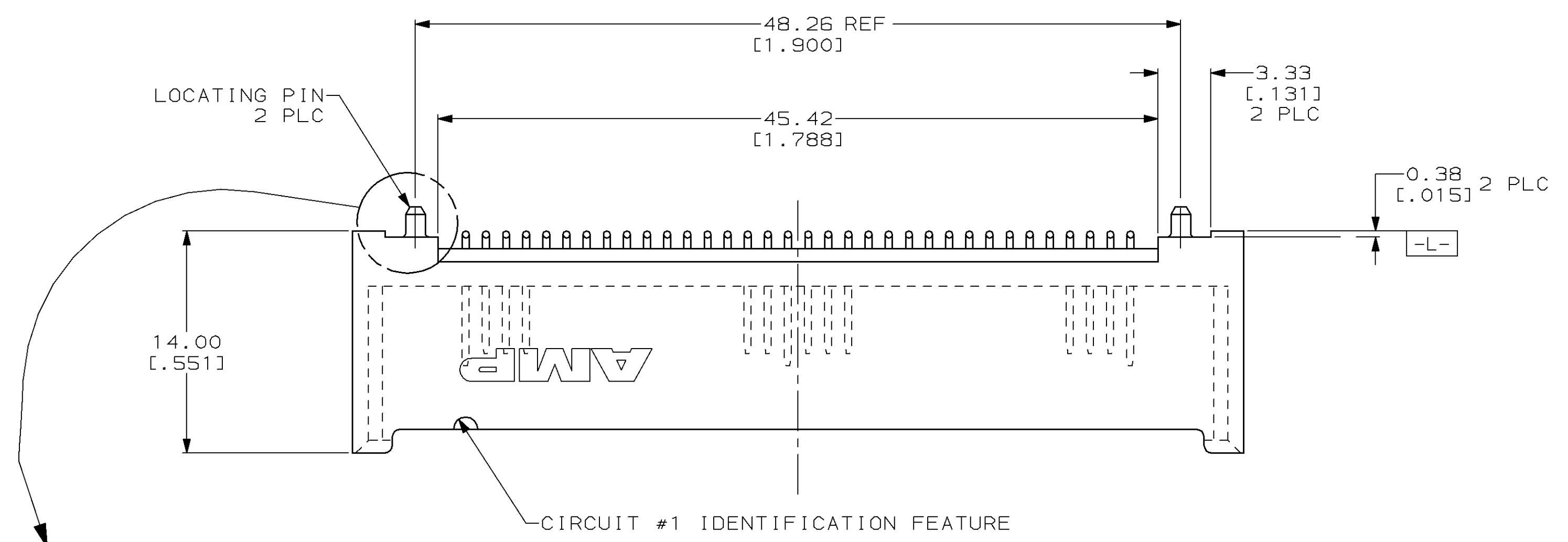
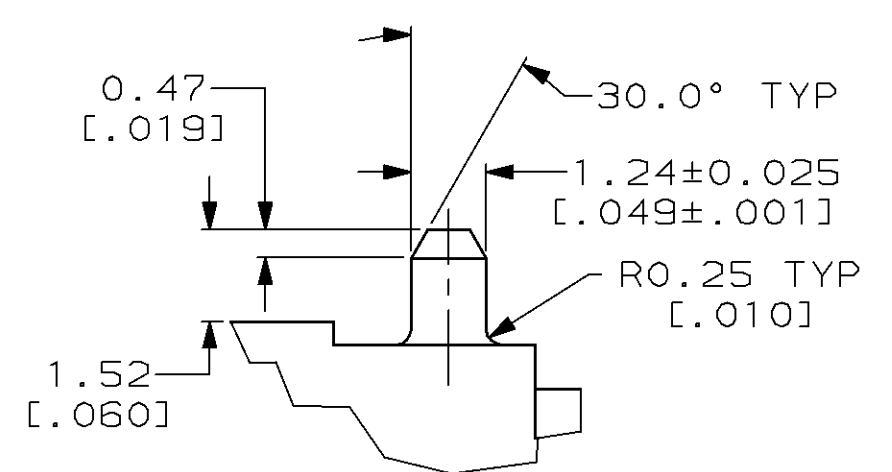


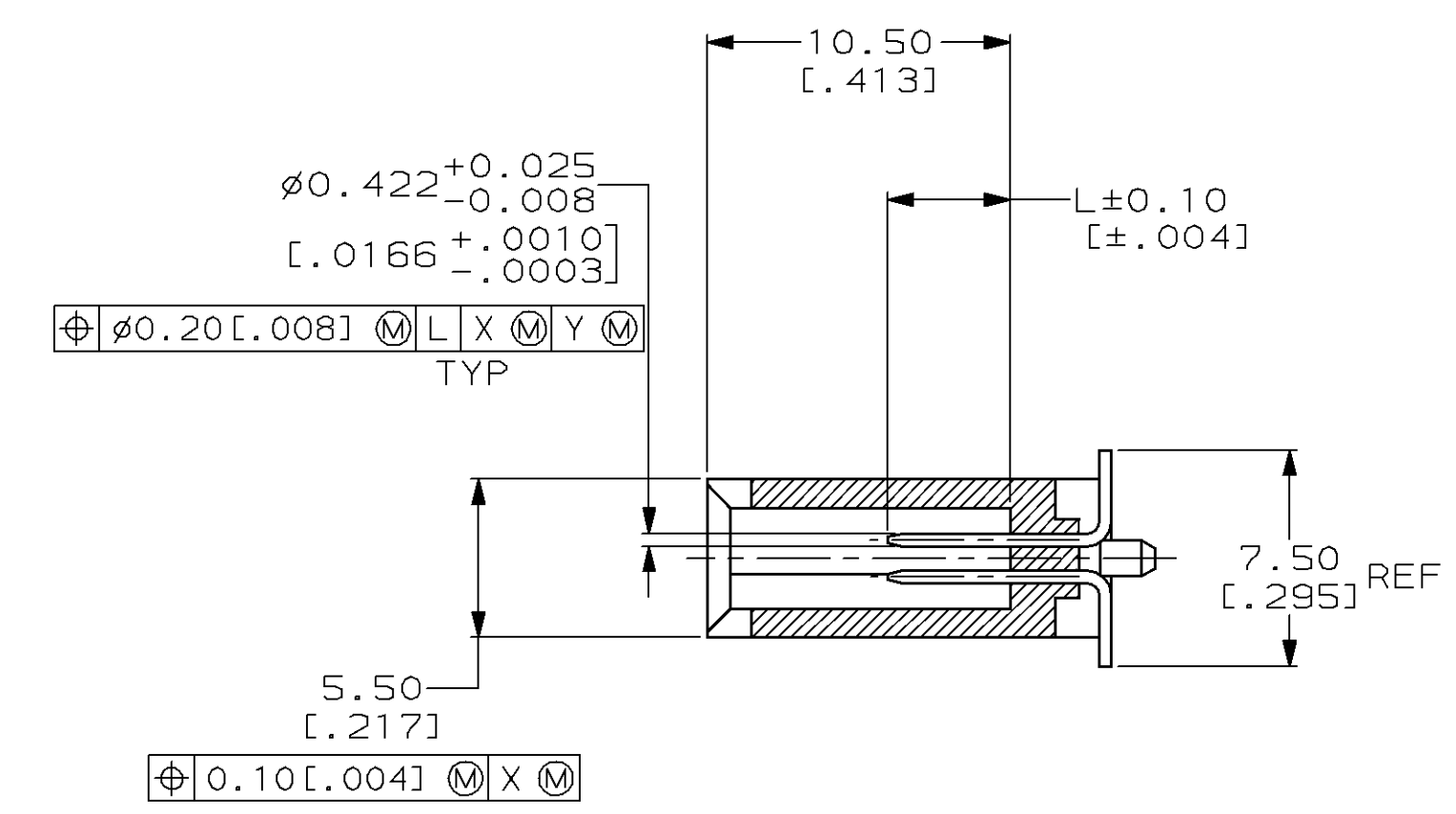
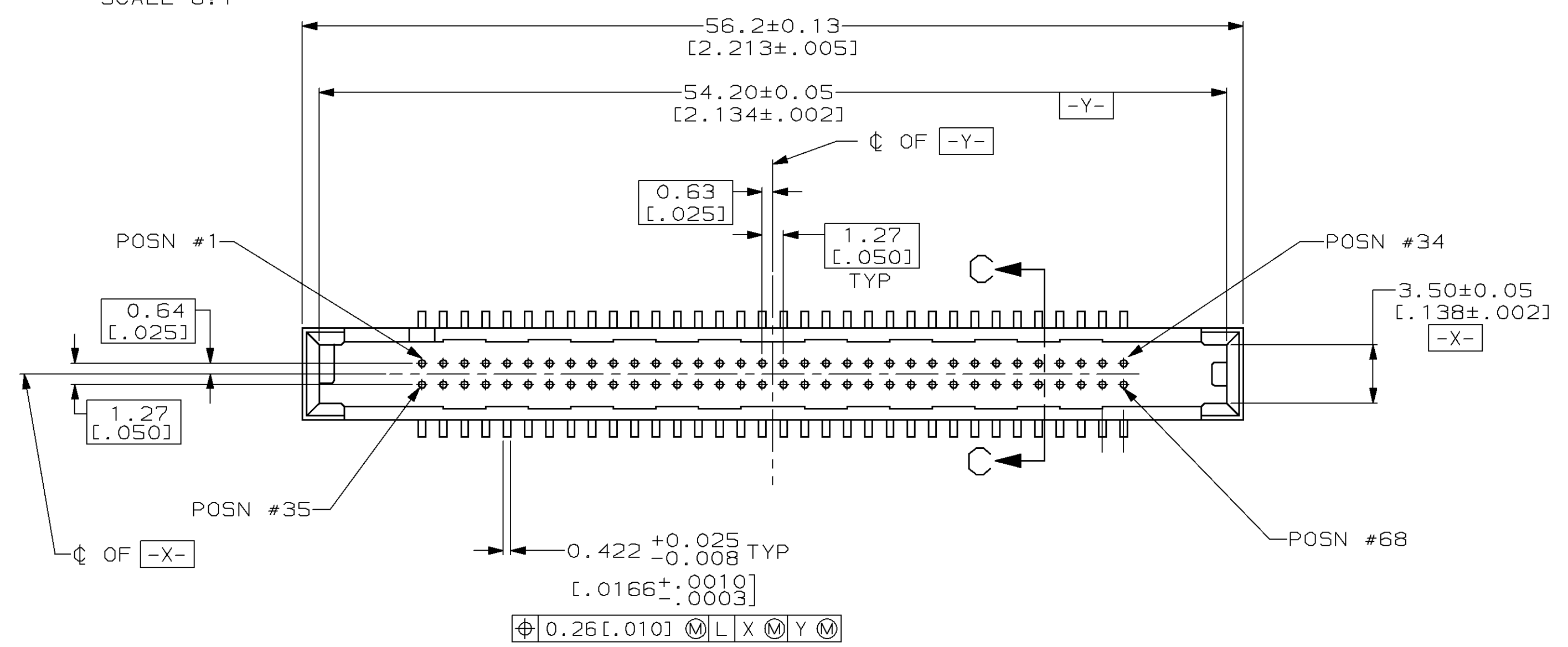
REVISONS		DATE	DWN	APVD
0	RELEASED WAS; 95-1129-94	2/5/96	DW	VR
A	REV PER 0010-0488-96	4/9/96	DW	VR



RECOMMENDED BOARD LAYOUT



SCALE 8:1



SECTION C-C

- 0.00076[.000030] MINIMUM GOLD IN CONTACT AREA, 0.00381[.000150] MIN TIN-LEAD ON SOLDER TAILS, ALL OVER 0.00127[.000050] MINIMUM NICKEL
- DATUMS AND BASIC DIMENSIONS ESTABLISHED BY CUSTOMER
- 3. PRODUCT PACKAGED IN TUBES.

AS SHOWN	1, 17, 34 35, 51, 68	ALL OTHER PINS	36, 67	146733-1
DESCRIPTION	5.0[.197]	4.25[.167]	3.5[.138]	PART NUMBER
" L " PIN LENGTH AND LOCATION				

<small>THIS DRAWING IS A CONTROLLED DOCUMENT FOR AMP INCORPORATED. IT IS SUBJECT TO CHANGE AND THE CONTROLLING ENGINEERING DEPARTMENT SHALL BE CONTACTED FOR THE LATEST REVISION.</small>		DWN: DARRELL WERTZ 2/5/96 CHK: VINCE RUMINSKI 2/5/96	AMP Incorporated Harrisburg, PA 17105-3608
DIMENSIONS: mm (INCHES)	TOLERANCES UNLESS OTHERWISE SPECIFIED: 0 PLC ±. 1 PLC ±. 2 PLC ±0.13(.005) 3 PLC ±. 4 PLC ±. ANGLES ±2°	APVD: VINCE RUMINSKI 2/5/96 PRODUCT SPEC: - APPLICATION SPEC: - WEIGHT: -	NAME: VINCE RUMINSKI SIZE: A1 CAGE CODE: 00779 DRAWING NO: 146733
MATERIAL: HOUSING: LCP, COLOR BLACK; POST: BRASS	FINISH: Δ	CUSTOMER DRAWING	SCALE: 4:1; SHEET: 1 OF 1; REV: A